

HIGH FREQUENCY 75W PLANAR TRANSFORMERS

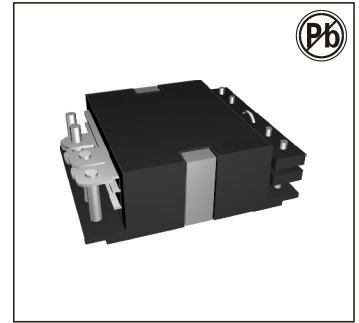
TP20B SERIES

FEATURES:

- Power Rating Up to 100 Watts
- High Efficiency of Over 98%
- Footprint 20.30 mm × 18.50 mm
- Lower Profile of 6.6 mm
- High Isolation (operational) 1500 Vdc
- High Frequency 200 kHz–700 kHz
- Operating Temperature –40°C to +125°C

COMMON APPLICATIONS:

- High performance DC/DC converters.
- High efficiencies up to over 98 percent, high power density of 500 watts per cubic inch DC/DC converters.
- For forward, full-bridge, half-bridge and push-pull DC/DC converters.
- Input voltages between 18V and 75V, and output voltages from 18V down to 1.2V DC/DC converters.
- Telecommunications, industrial control systems,
- Automotive and heavy equipment vehicle systems



ELECTRICAL CHARACTERISTICS:

Part Number	Primary Inductance (uH Min)	Leakage Inductance (uH Max)	DC Resistance (mΩ Max)				Turns Ratio		Primary Second Hi-Pot	Figure	M. Height
			Primary			Secondary	Primary	Secondary			
			A	B	AUX.						
TP20B0601	54	0.20	20.0	N/A	103	1.5&1.5	6T	1T//1T	1500VDC	A	6.6mm
TP20B0602	54	0.20	20.0	N/A	103	3.00	6T	1T+1T	1500VDC	A	6.6mm
TP20B0603	54	0.20	20.0	N/A	103	34.5.0	6T	3T	1500VDC	B	6.6mm
TP20B0606	54	0.20	40.0	N/A	206	8.5.0	6T	6T	1500VDC	C	6.6mm
TP20B0608	54	0.15	40.0	N/A	206	15.0	6T	8T	1500VDC	C	6.6mm
TP20B0610	54	0.15	40.0	N/A	206	23.0	6T	10T	1500VDC	C	6.6mm
TP20B1201	216	0.85	70.0	N/A	150	1.5&1.5	12T	1T//1T	1500VDC	A	6.6mm
TP20B1202	216	0.85	70.0	N/A	150	3.00	12T	1T+1T	1500VDC	A	6.6mm
TP20B1203	216	0.60	70.0	N/A	150	34.5.0	12T	3T	1500VDC	B	6.6mm
TP20B1206	216	0.30	140	N/A	300	8.5.0	12T	6T	1500VDC	C	6.6mm
TP20B1208	216	0.25	140	N/A	300	15.0	12T	8T	1500VDC	C	6.6mm
TP20B1210	216	0.25	140	N/A	300	23.0	12T	10T	1500VDC	C	6.6mm

APPLICATION OF CONFIGURATION

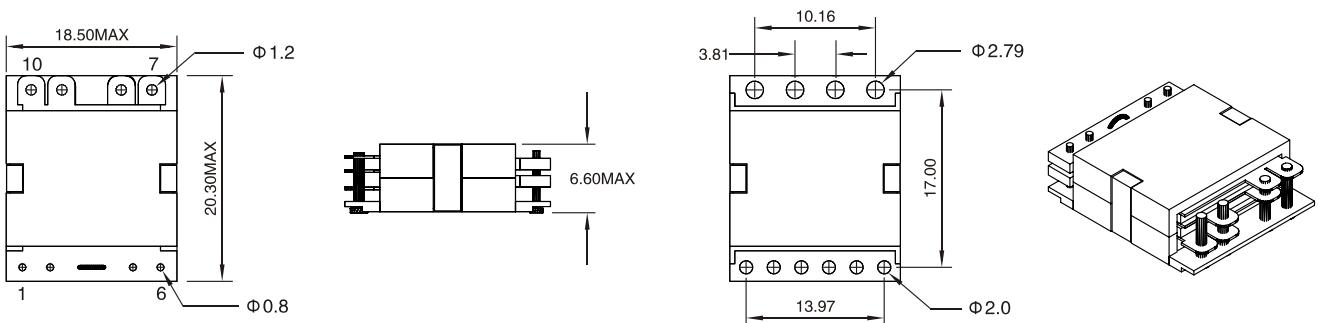
Part Number	Vin	Vout & Iout
TP20B0601	18–36Vdc	1.2V@41.6A – 1.8V@37.5A
TP20B0602	18–36Vdc	2.5V@25.5A – 3.3V@22.7A
TP20B0603	18–36Vdc	5.0 V @ 15 A
TP20B0606	18–36Vdc	8.0V@9.37A – 10V@7.50A
TP20B0608	18–36Vdc	12V@6.25A – 15V@5.00A
TP20B0610	18–36Vdc	16V@4.68A – 18V@4.16A
TP20B1201	36–75Vdc	1.2V@41.6A – 1.8V@37.5A
TP20B1202	36–75Vdc	2.5V@25.5A – 3.3V@22.7A
TP20B1203	36–75Vdc	5.0 V @ 15 A
TP20B1206	36–75 Vdc	8.0V@9.37A – 10V@7.50A
TP20B1208	36–75 Vdc	12V@6.25A – 15V@5.00A
TP20B1210	36–75 Vdc	16V@4.68A – 18V@4.16A

This is a matrix of the winding configurations. They are ideally suited to hand between 35–75W of power supply on DC–CD converters application.

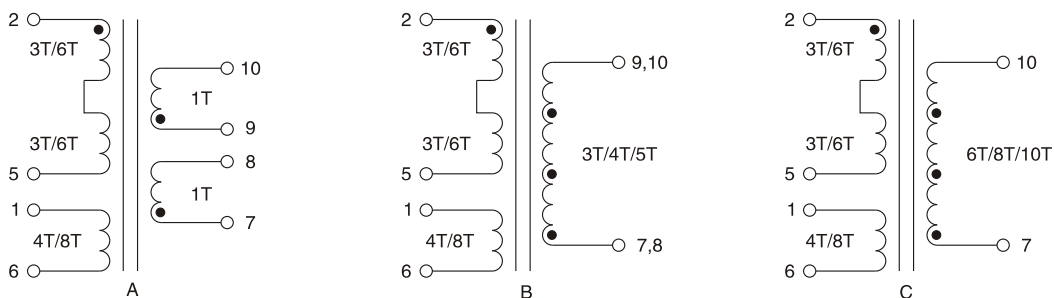
TECHNICAL INFORMATION

1. The inductance is measured in windings Pin(2–5) at 100kHz 100 mVrms.
2. The leakage inductance is measured in winding Pin(2–5) with all other windings shorted.
3. All specifications typical at TA=25°C.

PHYSICAL CHARACTERISTICS



SUGGESTED PAD LAY-OUT



SCHEMATIC

Note: All specifications subject to change without notice.